



SABRE

PROFESSIONAL PVCu WINDOW AND DOOR HARDWARE

SABRE HIGH SECURITY FLAG HINGE



**3-D FULLY ADJUSTABLE
HEAVY DUTY CONSTRUCTION
CORROSION AND U/V RESISTANT
DESIGNED TO HELP ACHIEVE PAS 023/024 STANDARDS
SUIT MOST UK PROFILES WITHOUT PACKERS
AVAILABLE IN 4 COLOUR FINISHES**



PRODUCT SPECIFICATION

MATERIAL SPECIFICATION:

Zinc alloy construction with nylon fittings and stainless steel spindle and support pins, for additional strength and corrosion resistance.

FINISH SPECIFICATION:

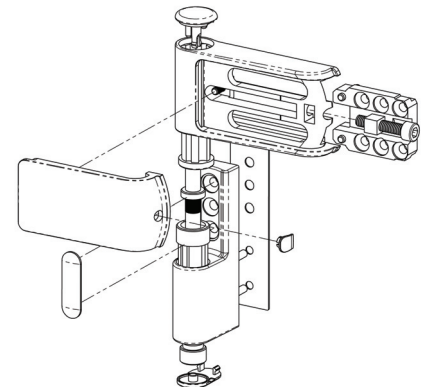
Epoxy-Polyester Hybrid powder coated for maximum combined surface hardness and u/v stability.
PVD coat for surface hardness and maximum wear.

CORROSION RESISTANCE:

Meets the requirements of BS EN 1670:1998 grade (class) 4, exceeding 500 hours neutral salt spray testing for both powder coat and PVD finishes.

PERFORMANCE SPECIFICATION:

Designed to help achieve PAS23/24 standards of residential door assemblies.
Allows 180 degree door opening.



PRODUCT OPTIONS

UPSTAND HEIGHT OPTIONS:

Baseplate for 16-20mm lower sash rebate
Baseplate for 20-24mm upper sash rebate
Optional packers are supplied with all hinges

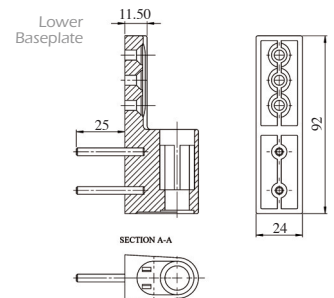
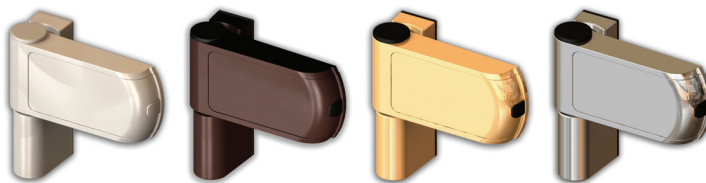
COLOUR OPTIONS:

White
RAL9016

Brown
RAL8077

Gold
PVD

Chrome
PVD



PRODUCT ORDER CODES

LOWER SASH REBATE:

White with 16-20mm baseplate: **46FHSWL**
Brown with 16-20mm baseplate: **46FHSBL**
Gold with 16-20mm baseplate: **46FHSGL**
Chrome with 16-20mm baseplate: **46FHSL**
(All Boxes in sets of 12 hinges)

UPPER SASH REBATE:

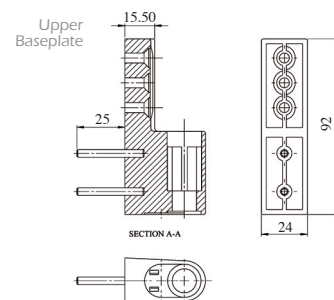
White with 20-24mm baseplate: **46FHSWU**
Brown with 20-24mm baseplate: **46FHSBU**
Gold with 20-24mm baseplate: **46FHSGU**
Chrome with 20-24mm baseplate: **46FHSCU**
(All Boxes in sets of 12 hinges)

RECOMMENDED PRODUCTS:

Aluminium Fixing Jig **46FHSJIG1**
2.5mm HSS Fully Ground Drill Bits (long series) **33HSS025L**
4mm HSS Fully Ground Drill Bits (long series) **33HSS04L**
4.8x38mm Csk Self-Drilling ZP Screws **CSD4838Z**
4.8x45mm Csk Self-Drilling ZP Screws **CSD4845Z**
5mm Diameter Allen Key **0002ALLEN5**

ASSOCIATED DOOR HARDWARE:

300x65mm White 40/80 Letterplate **46FM12664080W**
300x65mm Gold PVD 40/80 Letterplate **46FM12664080G**
300x65mm Chrome PVD 40/80 Letterplate **46FM12664080C**



SALES FREE PHONE: 0800 670 3657

SALES FREE FAX: 0800 652 0780

SALES EMAIL: sales@ifiltd.net



IFI Limited
Manasty Road
Peterborough
Cams. PE2 6UP

IFI Limited
Rennie Place
East Kilbride
Scotland G74 5HD

www.ifiltd.net